



Classification:  
AT99-002

Reference:  
ITB99-009

Date:  
April 1, 1999

## 1998-99 I30 A/T SHIFT CONTROL DEVICE - HARD TO SHIFT

**APPLIED VEHICLES:** 1998-99 I30 (CA32)

### SERVICE INFORMATION

Some 1998 or 1999 I30 vehicles with automatic transmission may exhibit a situation where the shift handle is hard to move or operate. This problem may be worse during hot weather.

This incident may be difficult to duplicate unless the vehicle is heat soaked. Scratch markings may also be observed running the length of the sliding black plastic shifter strip (see Figure 1). (This plastic strip slides within the slot as the shift handle is moved.)

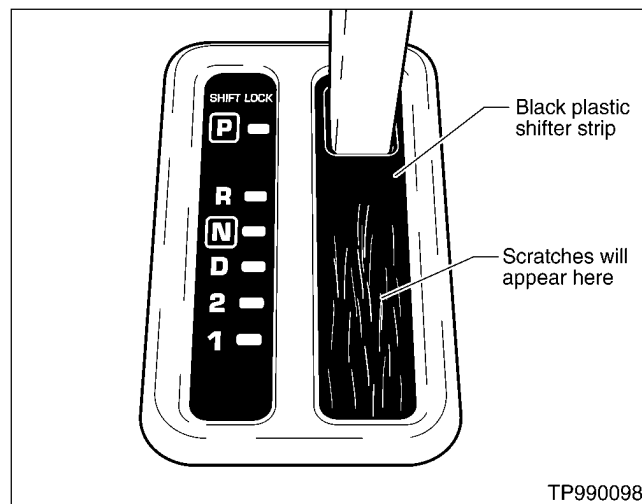


Figure 1.

The root cause of this incident is insufficient clearance between the indicator assembly and the base of the shift control device. This lack of clearance causes the sliding black plastic strip to bind, which increases operating effort. Two service procedures are provided to correct this incident.

### SERVICE PROCEDURE

Are scratches present on the black plastic shifter strip?

- A. If no, proceed with **Hard To Shift - No Scratches**, page 2.
- B. If yes, proceed with **Hard To Shift - With Scratches**, page 2.

## Hard To Shift - No Scratches

For cases where the shift effort is high and the sliding black plastic strip does **not** have scratches as noted in Figure 1, add the plate adapter (PN 34981-79900) as follows:

1. Remove the ash tray and the shifter cover plate (see Figure 2). Exercise care when releasing metal clips so as not to damage A/T shifter cover plate.

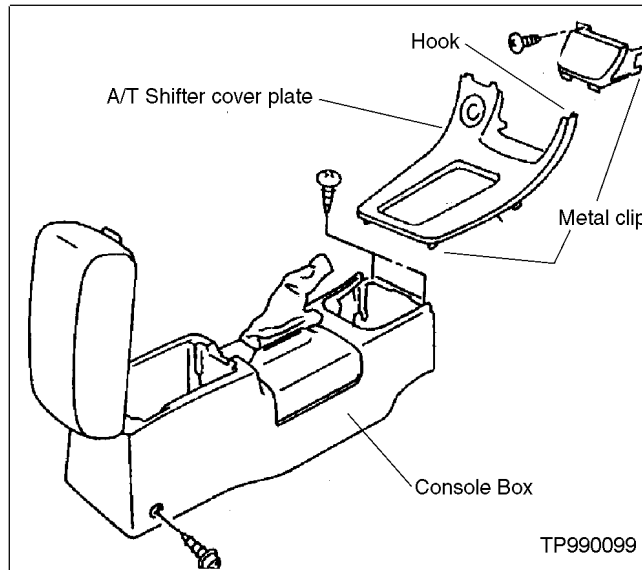


Figure 2.

2. Remove the console box (remove the screws under the shifter cover plate and at the rear of the console box - Figure 2).
3. Release pawls of the A/T shift indicator and lift to expose sliding plate base support (see Figure 3).

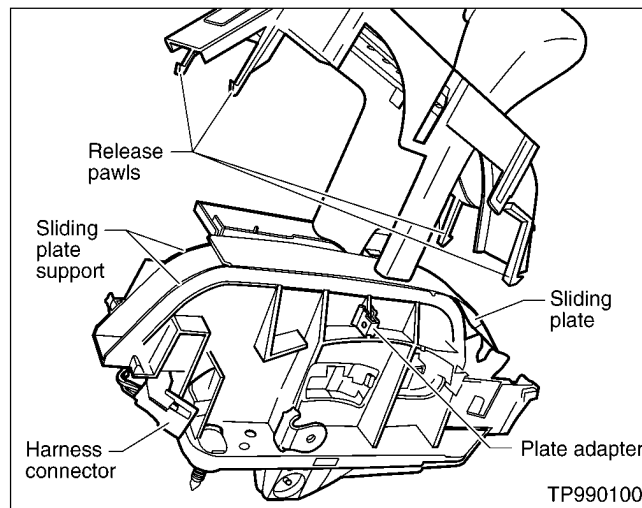


Figure 3.

4. Clean the surface of sliding plate and lightly grease the sliding plate supports.
5. Attach the plate adapter, P/N 34981-79900 to the A/T device as shown in Figure 3.
6. Install the removed parts in reverse order.

## Hard To Shift - With Scratches

For cases where the shift effort is high and the sliding black plastic strip has scratches as shown in Figure 1, replace the strip with PN 96955-2L900 **and** add the plate adapter (PN 34981-79900) as follows:

1. The vehicle should be placed on a lift to provide access necessary to remove the A/T shift control device.
2. Remove the ash tray unit and the shifter cover plate(see Figure 2).
3. Remove the console box (remove the screws under the shifter cover plate and at the rear of the console box - Figure 2).
4. Remove key interlock lock cable, A/T control cable (see Figure 4) and electrical harness connector from the A/T shift control device (see Figure 3).

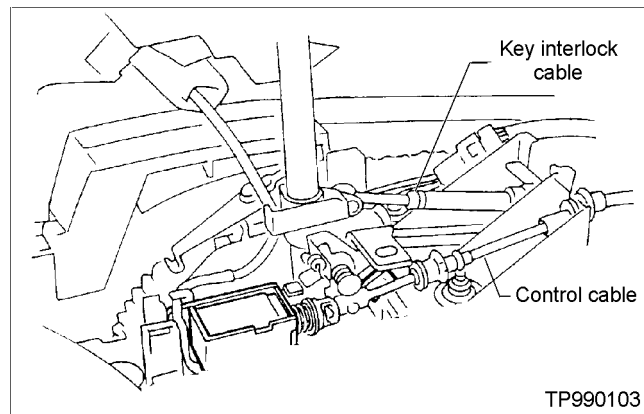


Figure 4.

5. Remove the two front bolts from holding the A/T control device.
6. Raise the car on the lift and locate the heat shield above the catalytic converter.
7. Remove the heat shield bolts and slide it to the rear, exposing the two rear bolts holding the A/T shift device. (It is not necessary to remove the exhaust tube or catalytic converter.)

**CAUTION:** The O2 sensor cable is clipped to the heat shield. Remove the clips before sliding the heat shield back.

8. Remove the two rear bolts of the A/T shift control device.
9. Return to top of vehicle and remove the A/T shift control device.
10. Remove the harness connector from mounting bracket (See Figure 3).
11. Remove the two terminal pins for the OD cancel switch from the connector (Figure 5).

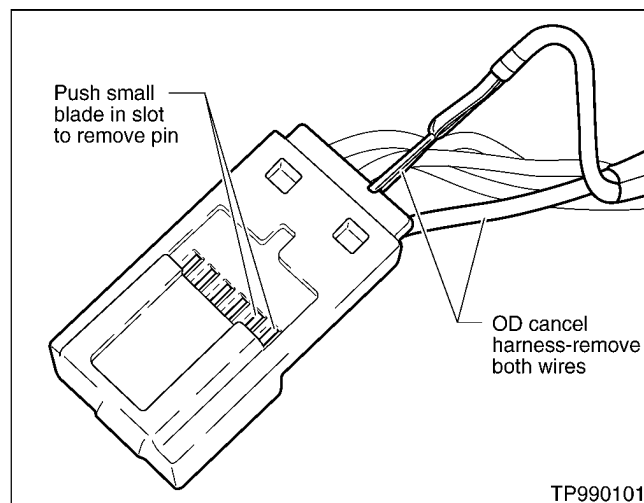


Figure 5.

12. Remove the rubber boot from the bottom of the A/T shift control device.

13. Release the clip for the OD cancel switch harness (Figure 6).

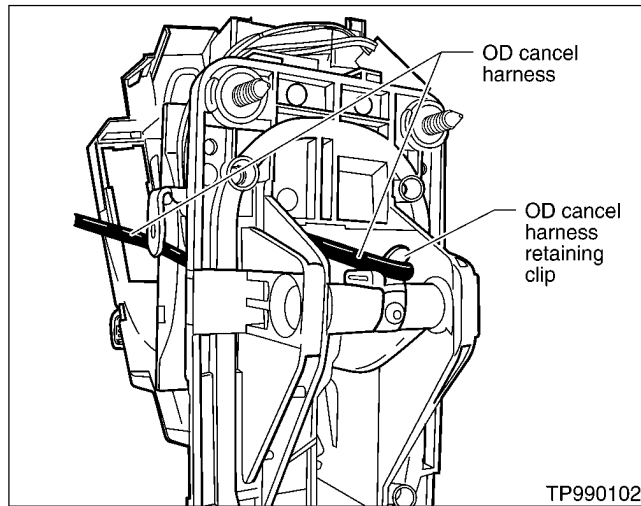


Figure 6.

14. Remove shift lever and OD cancel switch harness.
15. Remove shift plate and clean indicator window.
16. Replace the sliding plastic cover P/N 96955 2L900.
17. Clean the surface of sliding plate and lightly grease the sliding plate supports (see Figure 3).
18. Attach the plate adapter, P/N 34981-79900 to the A/T shift control device base bracket (see Figure 3).
19. Install the removed parts in reverse order.
20. Test for ability to move shifter from the "Park" position.
  - a) Ignition off - shifter locked in park position.
  - b) Ignition on - shifter locked in park position.
  - c) Depress brake pedal - shifter moves from park position.
  - d) If necessary, adjust A/T control cable.
21. Verify ignition key cannot be removed unless shifter is in park position. If necessary, adjust key interlock cable.
22. Confirm OD cancel switch operates.

**PARTS INFORMATION**

DESCRIPTION	PART #/PFP	QUANTITY
Plate -Adapter	34981-79900	1
Plate - Control Position Indicator	96955-2L900	1

**CLAIMS INFORMATION**

For Service Procedure 'A':

Submit a Primary Failed Part (PP) line using the following claims coding:

<b>DESCRIPTION</b>	<b>PFP</b>	<b>OP CODE</b>	<b>SYM</b>	<b>DIA</b>	<b>FRT</b>
Attach plate adapter	34981-79900	VD50AA	ZH	45	0.4 HRS

OR

For Service Procedure 'B':

Submit a Primary Failed Part (PP) line using the following claims coding:

<b>DESCRIPTION</b>	<b>PFP</b>	<b>OP CODE</b>	<b>SYM</b>	<b>DIA</b>	<b>FRT</b>
Attach plate adapter & slider	96955-2L900	VD51AA	ZH	45	1.1 hrs

